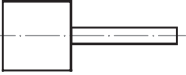
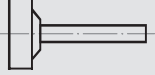
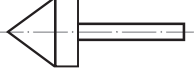
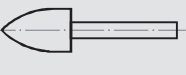
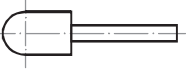
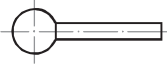
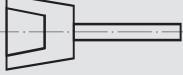
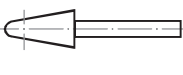
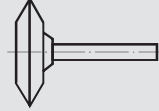
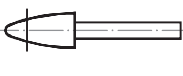
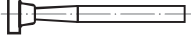

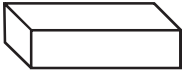


SHAPE

Summary of available shapes

Shape	
	ZY Cylindrical, type 1
	ZY2 Cylindrical, type 1
	WKS Cylindrical pointed nose
	SP Arch pointed nose
	WR Cylindrical round nose

Shape	
	KU Spherical
	TO Cup
	KE Conical round nose
	American shape A
	American shape B

Shape	
	Miniature mounted points
	SE Taper-sided grinding wheel
	RU Sharpening stones

GRINDING AND POLISHING
(with bonded tools)

POWER TOOLS

You can find the right power tools for our LUKAS tools on **pages 299–312**. Our power tools are designed for use with LUKAS tools and ensure highly efficient use.